

3HI10 series

Panel PC
based on **i.MX6** processor

FEATURES

- Scalable SoM with **NXP i.MX6** processors and size memories
- Available with different display size and touch technology
- Customizable Panel PC
- Low cost solutions
- Fanless system



7" Boxed Panel PC

CPU

- NXP i.MX6 Quad/Dual/DualLite/Solo ARM® Cortex®- A9 CPU
- CPU core 1/2/4
- CPU Frequency 800/1000/1200 MHz

MEMORY

- Up to 4 GB DDR3 up to 1066MHz (32/64 bit)

STORAGE / BOOT

- Up to 64 GB eMMC
- µSD slot

Display and touch

- Size available 7", 10.1" and 12.1"
- Support up two display 4XGA (2048x1536)
- Four display ports available HDMI, 2 x LVDS, Parallel
- Available with PCT projective capacitive touch screen
- Available with 4-wire or 5-wire resistive touch screen

¹ All features may not be available simultaneously

External PERIPHERALS¹

- 1 x USB 2.0 Host
- 1 x Ethernet 1Gbps
- 1 x FLEXCAN BUS Interfaces
- 1 x RS232 (TX,RX,RTS,CTS)
- 1 x RS485 full duplex
- 1 x Serial Port SW selectable between RS232 or RS485 Full Duplex
- Up to 2 Digital I/O

Internal PERIPHERALS¹

- 1 x USB 2.0 OTG
- 1 x keyboard 5X5
- Up to 2 SPI Interfaces
- Up to 2 I2C BUS Interfaces
- GPIOs available
- 1 x audio output
- BT 2.1+EDR and BLE 4.0
- WiFi 2.4 GHz IEEE 802.11 b/g/n
- 1 x MIPI camera connector (See also Camera board 3AT1019)
- Buzzer
- Temp Sensor
- RTC

SYSTEM

- Single +12VDC or +12-24 VDC ±10% power supply
Power supply availability depends on the display model

TEMPERATURE

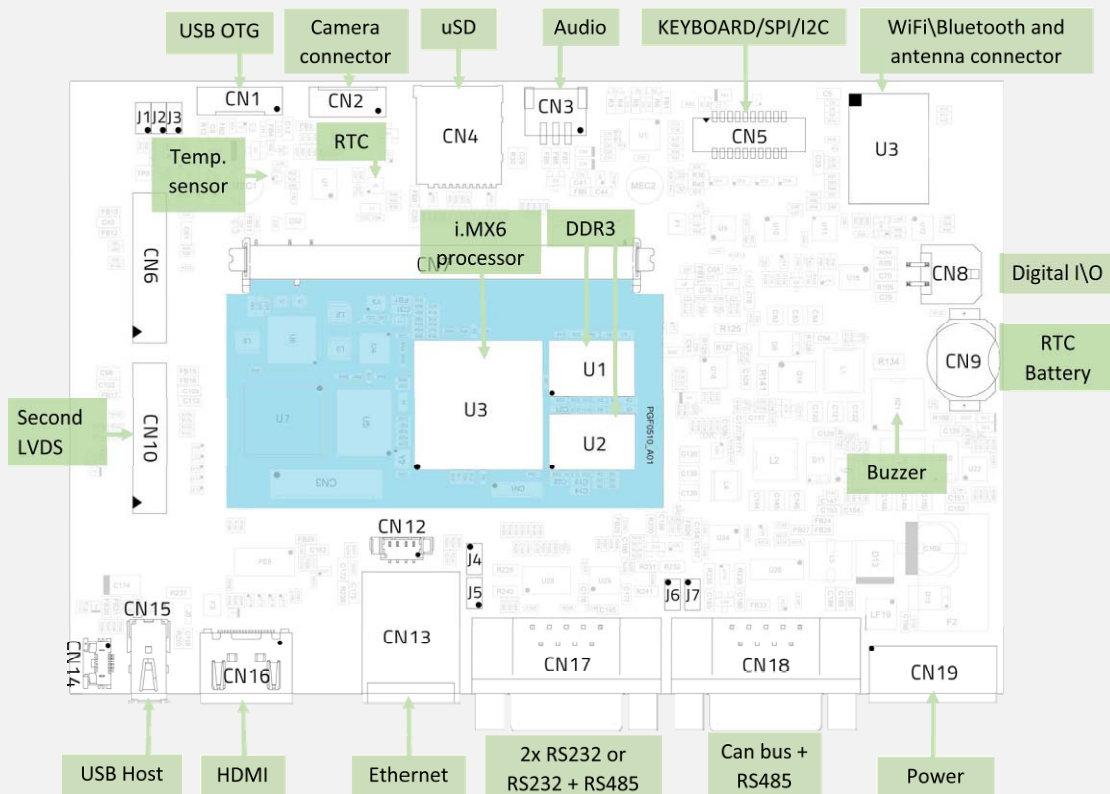
- 0 to +60°C for commercial version
- -20 to +70°C for extended version

OPERATING SYSTEMS

- Linux
- Android



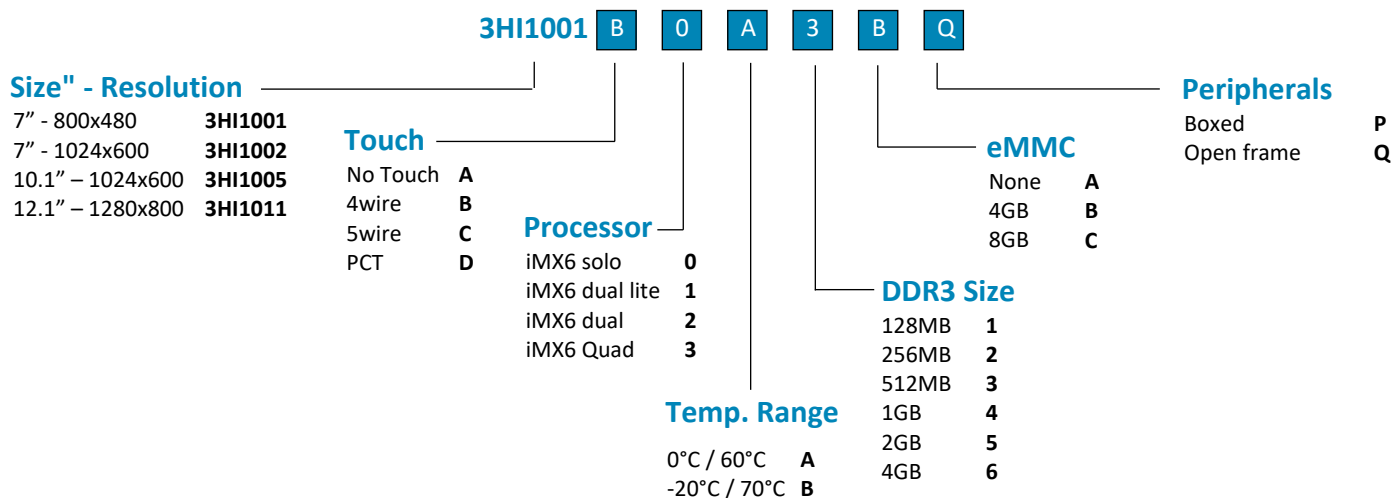
BOARD FUNCTION



Standard Open Frame Panel PC ordering code

Ordering Code	Descriptions
3HI1001 B 0 A 3 B Q	Display size 7", Resolutions 800x480, 4wire, iMX6 solo, Temp. 0°C 60°C, DDR3 512MB, eMMC 4GB, Open frame
3HI1001 A 0 A 3 B Q	Display size 7", Resolutions 800x480, No Touch, iMX6 solo, Temp. 0°C 60°C, DDR3 512MB, eMMC 4GB, Open frame
3HI1005 D 2 A 4 C Q	Display size 10.1", Resolutions 1024x600, PCT, iMX6 Dual, Temp. 0°C 60°C, DDR3 1GB, eMMC 8GB, Open frame
3HI1011 A 2 A 4 C P	Display size 12.1", Resolutions 1280x800, No touch, iMX6 Dual, Temp. 0°C 60°C, DDR3 1GB, eMMC 8GB, Boxed

Other ordering codes available on request



* No all code combinations are allowed, for more information on ordering codes please contact Elettronica GF sales department.